

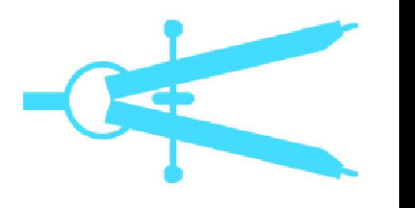
SPEC-14 MERE COURT



BUILDER CONTACT INFO	ELECTRICAL NOTES	PLUMBING NOTE	PAINING NOTES
GENERAL NOTES	FLOORING NOTES	TRIM NOTES	DRYWALL NOTES



J Lee Designs
Dream. Create. Live.

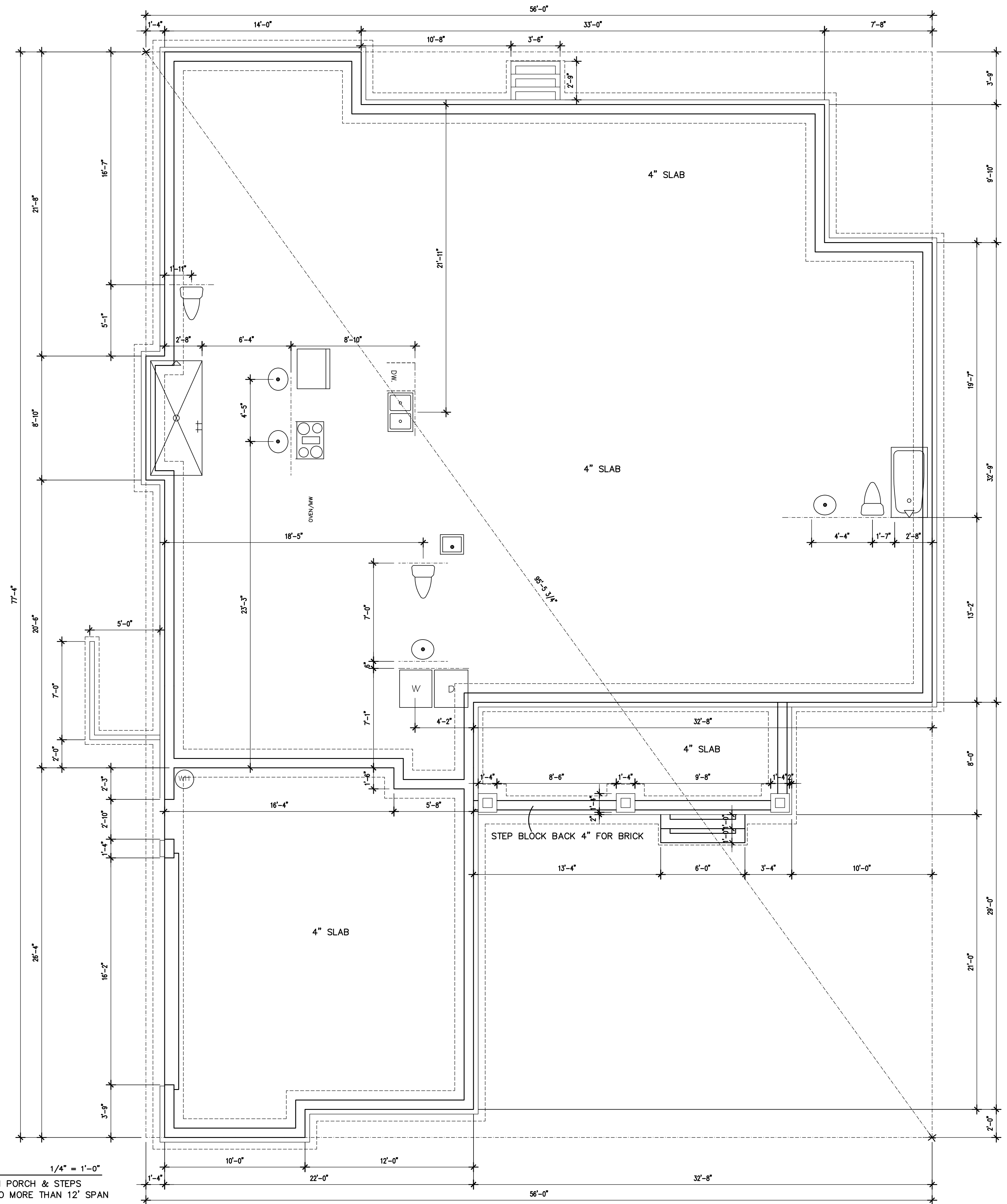
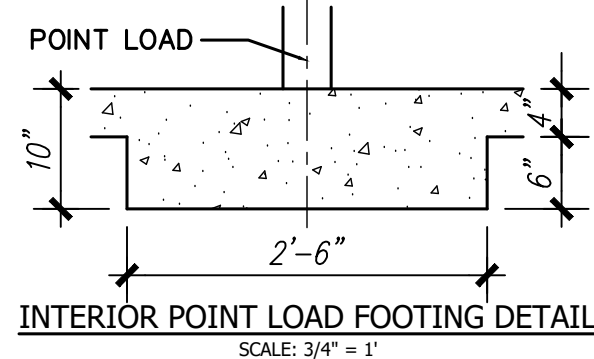
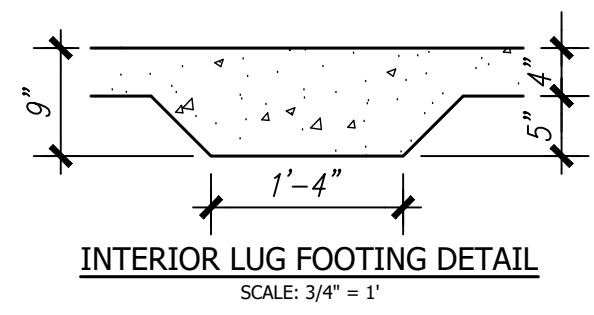
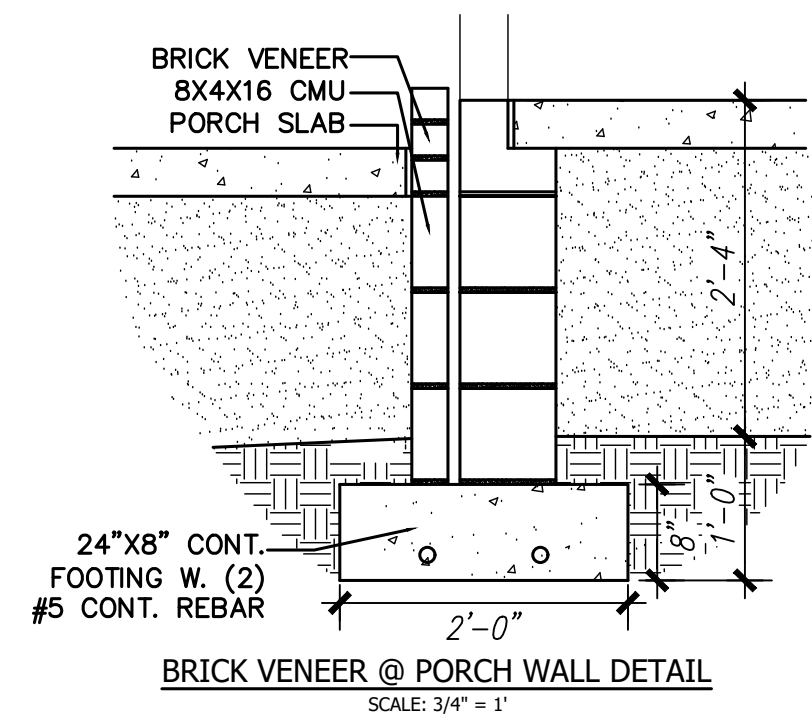
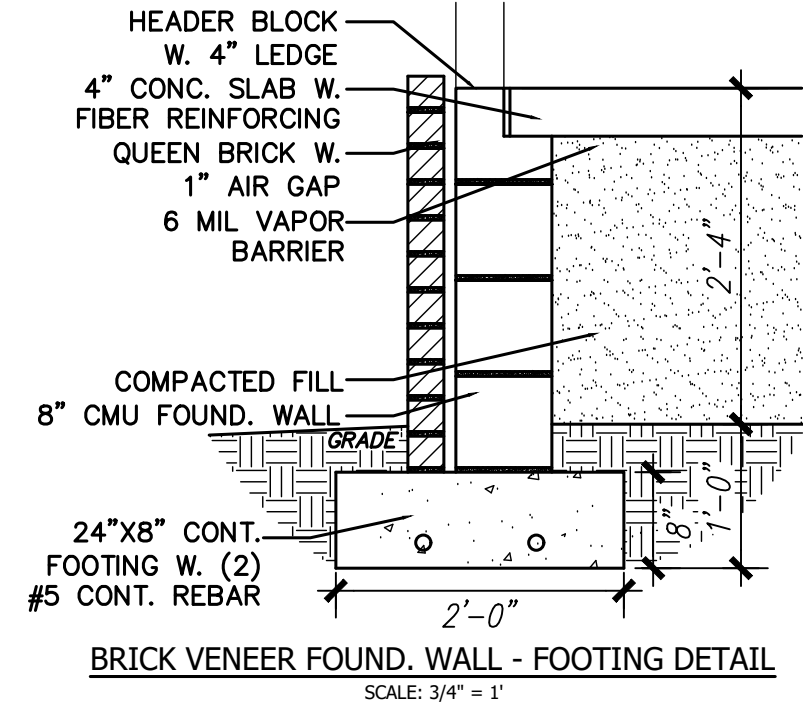


SCALE : 1/4"=1'

OCTOBER 25TH 2020

SHEET NO.
A0

It is the responsibility of the builder to assure that all work is in accordance with the latest edition of all applicable National, State, and Local Building Codes. It is the responsibility of the builder to check all dimension and details for overall accuracy appropriate to the local on site conditions. The draftsman is not an architectural firm and stands no liability for structural or architectural design integrity. Every effort has been made to ensure all dimensions are correct and governmental regulations have been met. If an error or omission does occur it is the sole responsibility of the contractor to correct the error and not the responsibility of the draftsman. This plan has been prepared for the contractor and the Draftsman has no knowledge of, or is responsible for, any copy right infringement. The contractor takes sole responsibility for everything on this plan.



FOUR COURSE
FOUNDATION PLAN
1/4" = 1'-0"
ALL DIMENSIONS TO BLOCK EXCEPT BRICK ON PORCH & STEPS
MAKE CUT JOINTS FROM EVERY CORNER - NO MORE THAN 12' SPAN

It is the responsibility of the builder to assure that all work is in accordance with the latest edition of all applicable National, State, and Local Building Codes. It is the responsibility of the builder to check all dimension and details for overall accuracy appropriate to the local on site conditions. The draftsman is not an architectural firm and stands no liability for structural or architectural integrity. Every effort has been made to ensure all dimensions are correct and governmental regulations have been met. If an error or omission does occur it is the sole responsibility of the contractor to correct the error and not the responsibility of the draftsman. This plan has been prepared for the contractor and the Draftsman has no knowledge of, or is responsible for, any copy right infringement. The contractor takes sole responsibility for everything on this plan.

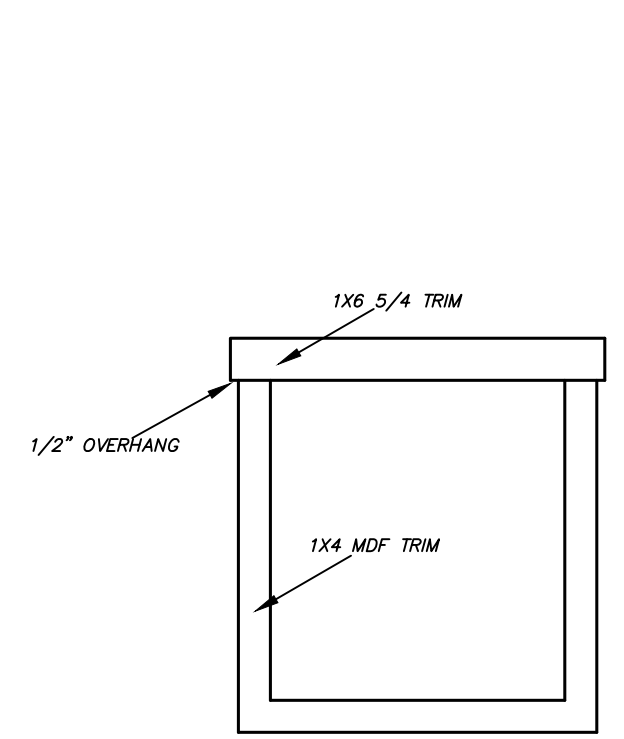


SPEC LOT 14
FOUNDATION

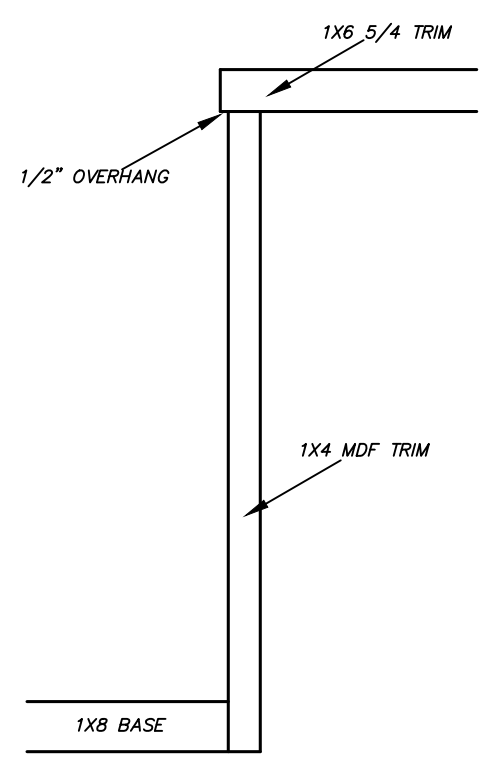
SCALE : 1/4" = 1'

JANUARY 16TH 2020

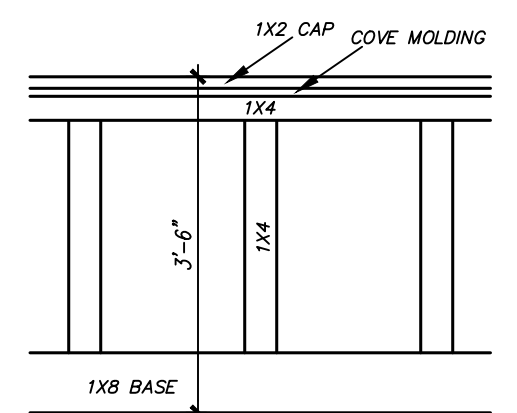
SHEET NO.
A1



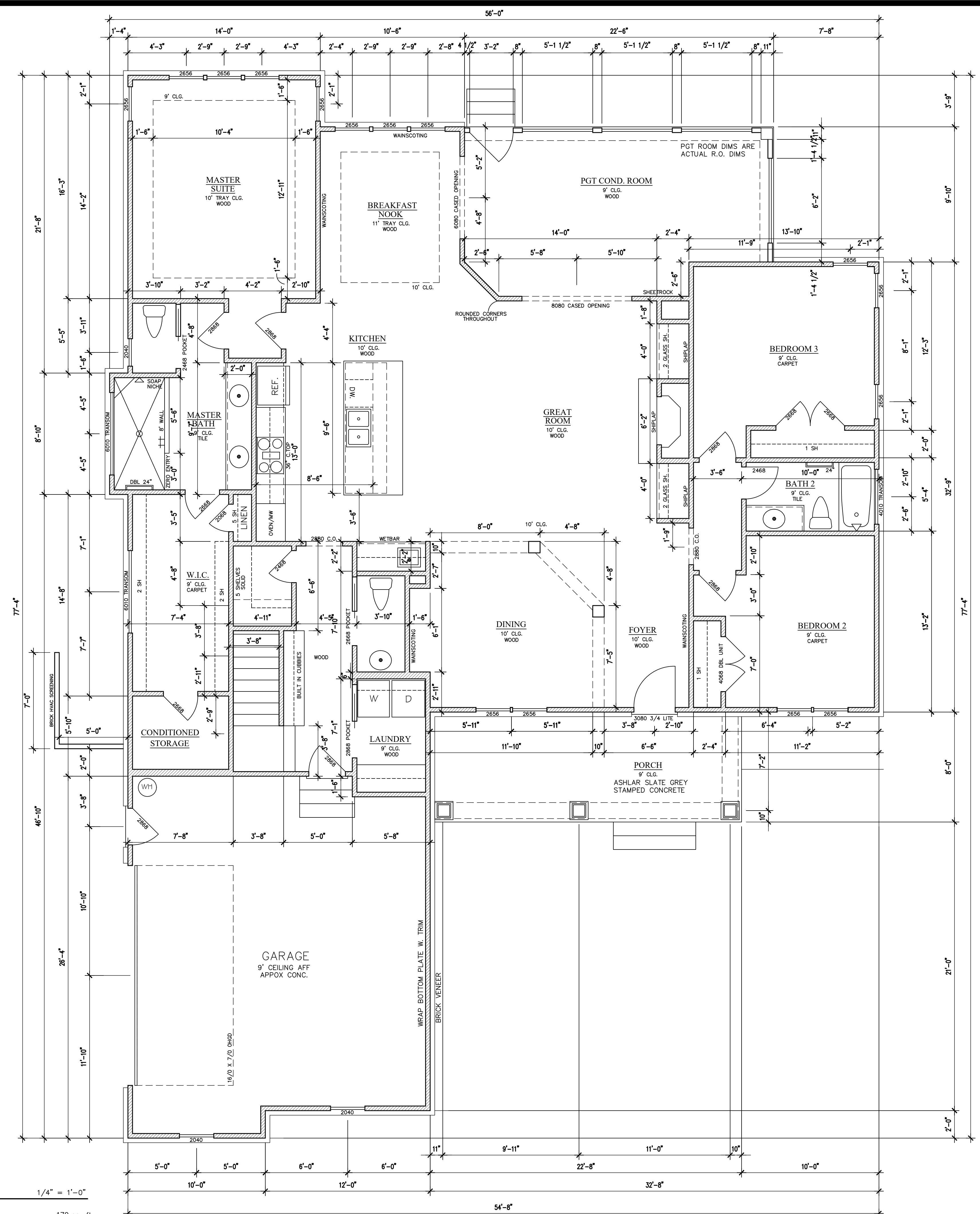
WINDOW TRIM DETAIL
SCALE: 1/2" = 1'-0"



DOOR TRIM DETAIL
SCALE: 1/2" = 1'-0"



WAINSCOTING DETAIL
SCALE: 1/2" = 1'-0"



FLOOR PLAN
1/4" = 1'-0"

GROUND FLOOR	2441 sq. ft.	FRONT PORCH	179 sq. ft.
2ND FLOOR	690 sq. ft.	GARAGE	550 sq. ft.
TOTAL HEATED	3131 sq. ft.		

It is the responsibility of the builder to assure that all work is in accordance with the latest edition of all applicable National, State, and Local Building Codes. It is the responsibility of the builder to check all dimension and details for overall accuracy appropriate to the local on site conditions. The draftsman is not an architectural firm and stands no liability for structural or architectural integrity. Every effort has been made to ensure all dimensions are correct and governmental regulations have been met. If an error or omission does occur it is the sole responsibility of the contractor to correct the error and not the responsibility of the draftsman. This plan has been prepared for the contractor and the Draftsman has no knowledge of, or is responsible for, any copy right infringement. The contractor takes sole responsibility for everything on this plan.

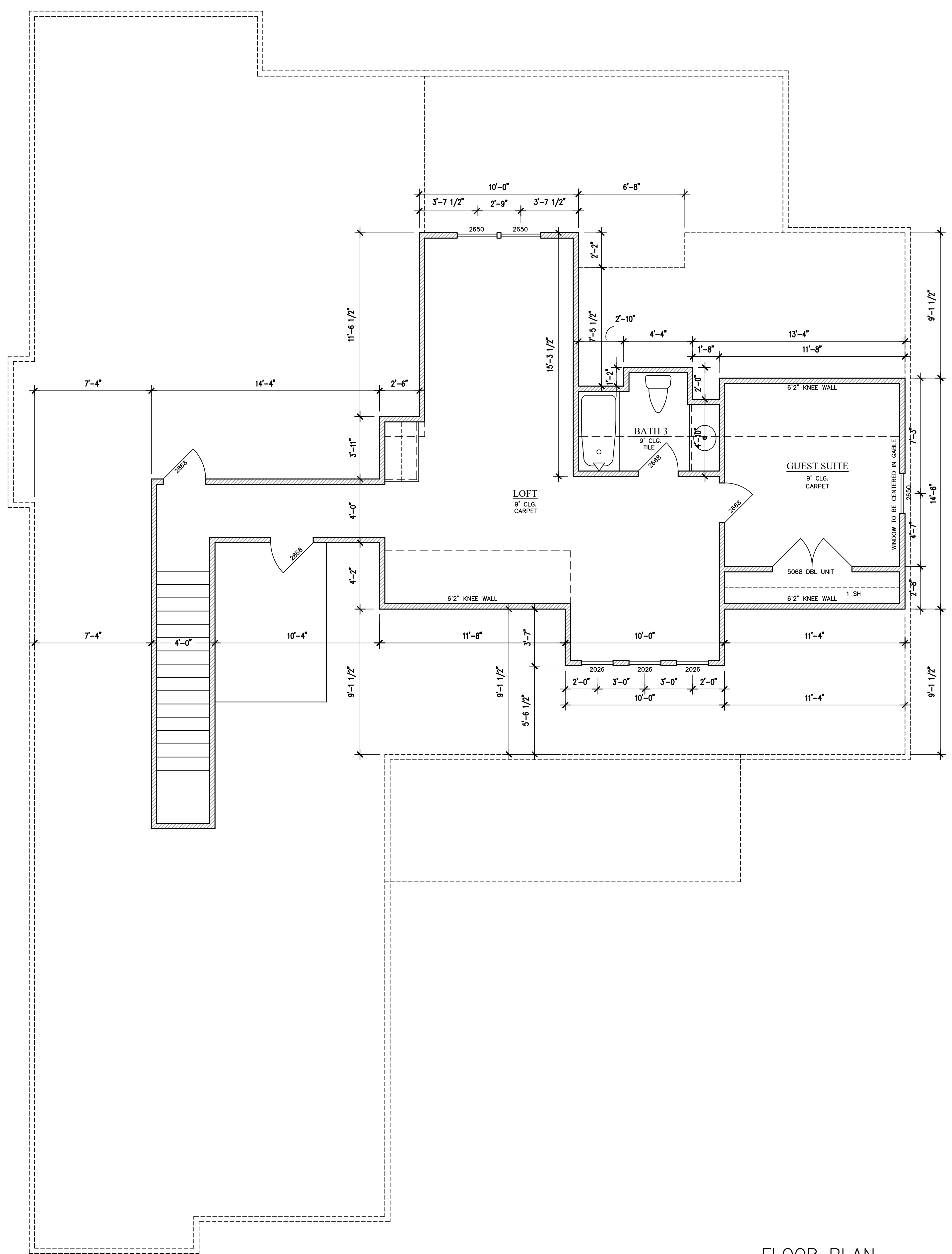
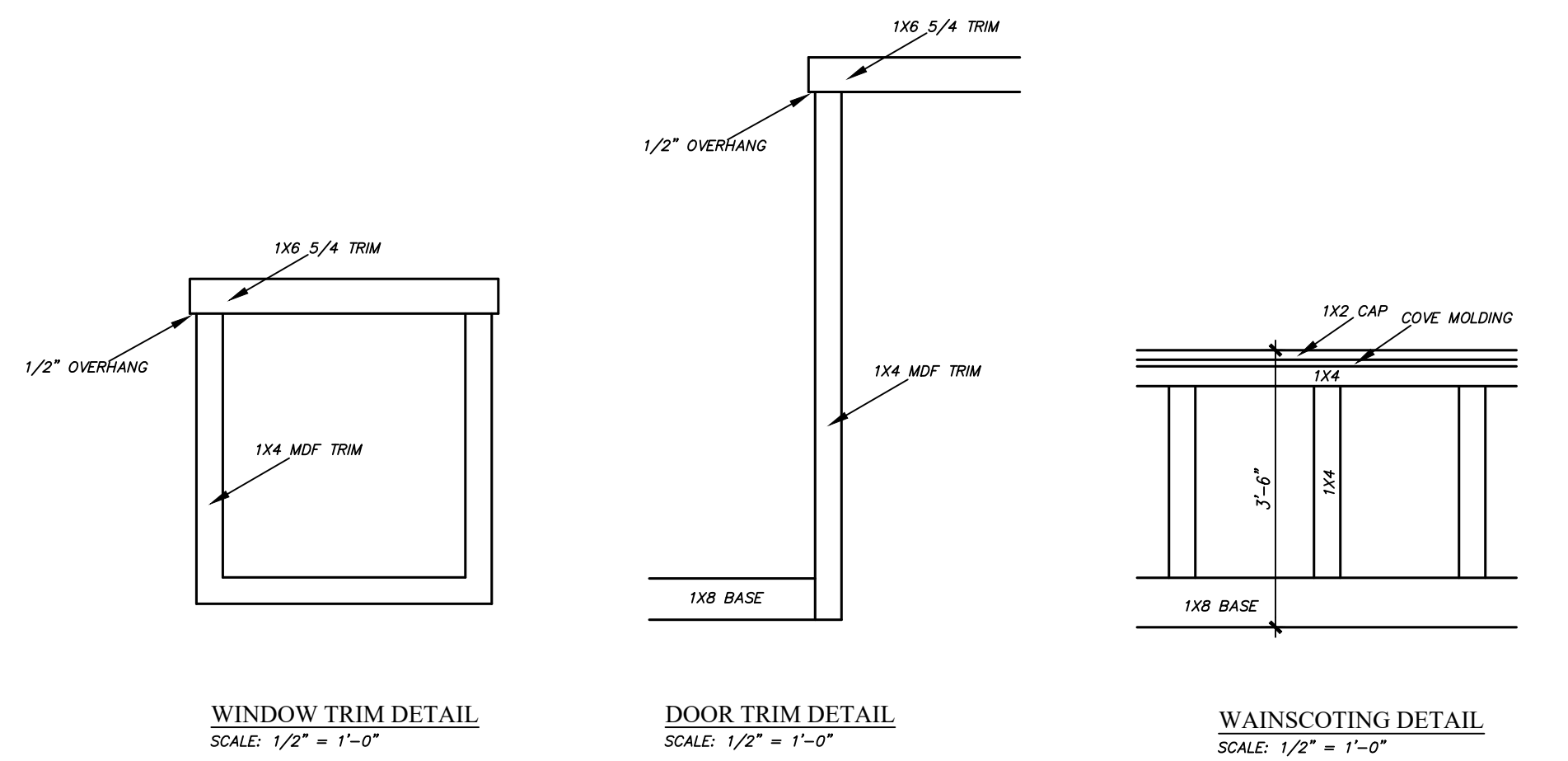


SPEC LOT 14
FLOOR PLAN

SCALE: 1/4" = 1'

JANUARY 16TH 2020

SHEET NO.
A2



FLOOR PLAN 1/4" = 1'-0"

GROUND FLOOR	2441 sq. ft.	FRONT PORCH	179 sq. ft.
2ND FLOOR	690 sq. ft.	GARAGE	550 sq. ft.
TOTAL HEATED	3131 sq. ft.		

It is the responsibility of the builder to assure that all work is in accordance with the latest edition of all applicable National, State, and Local Building Codes. It is the responsibility of the builder to check all dimension and details for overall accuracy appropriate to the local on site conditions. The draftsman is not an architectural firm and stands no liability for structural or architectural design integrity. Every effort has been made to ensure all dimensions are correct and governmental regulations have been met. If an error or omission does occur it is the sole responsibility of the contractor to correct the error and not the responsibility of the draftsman. This plan has been prepared for the contractor and the Draftsman has no knowledge of, or is responsible for, any copy right infringement. The contractor takes sole responsibility for everything on this plan.



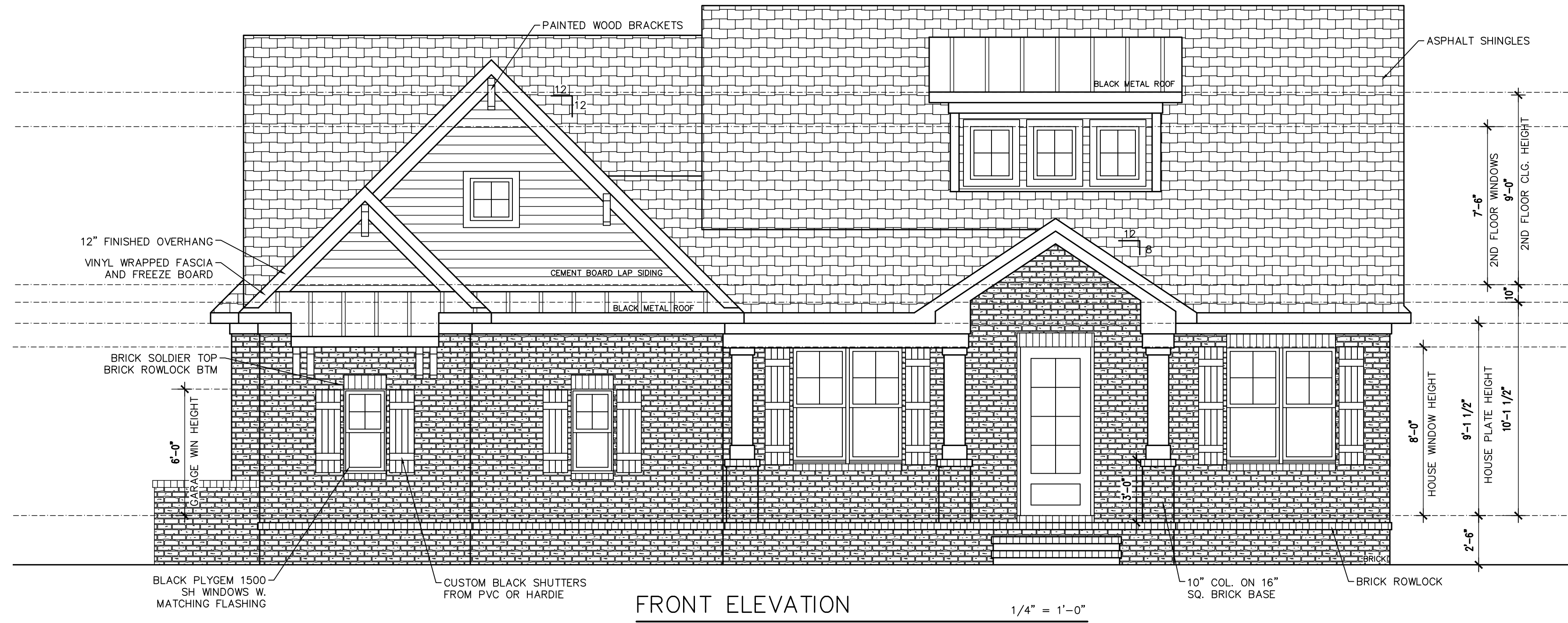
SPEC LOT 14
FLOOR PLAN

SCALE : 1/4"=1'

JANUARY 16TH 2020

SHEET NO.

A2.1



FRONT ELEVATION

1/4" = 1'-0"



REAR ELEVATION

1/4" = 1'-0"

It is the responsibility of the builder to assure that all work is in accordance with the latest edition of all applicable National, State, and Local Building Codes. It is the responsibility of the builder to check all dimension and details for overall accuracy appropriate to the local on site conditions. The draftsman is not an architectural firm and stands no liability for structural or architectural design integrity. Every effort has been made to ensure all dimensions are correct and governmental regulations have been met. If an error or omission does occur it is the sole responsibility of the contractor to correct the error and not the responsibility of the draftsman. This plan has been prepared for the contractor and the Draftsman has no knowledge of, or is responsible for, any copy right infringement. The contractor takes sole responsibility for everything on this plan.

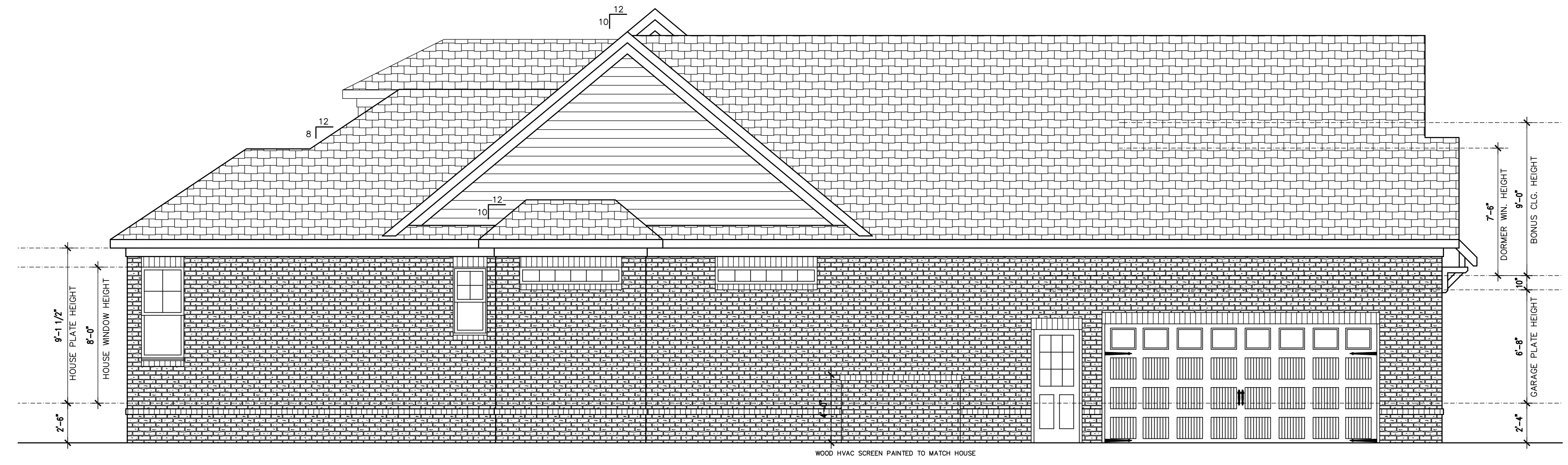
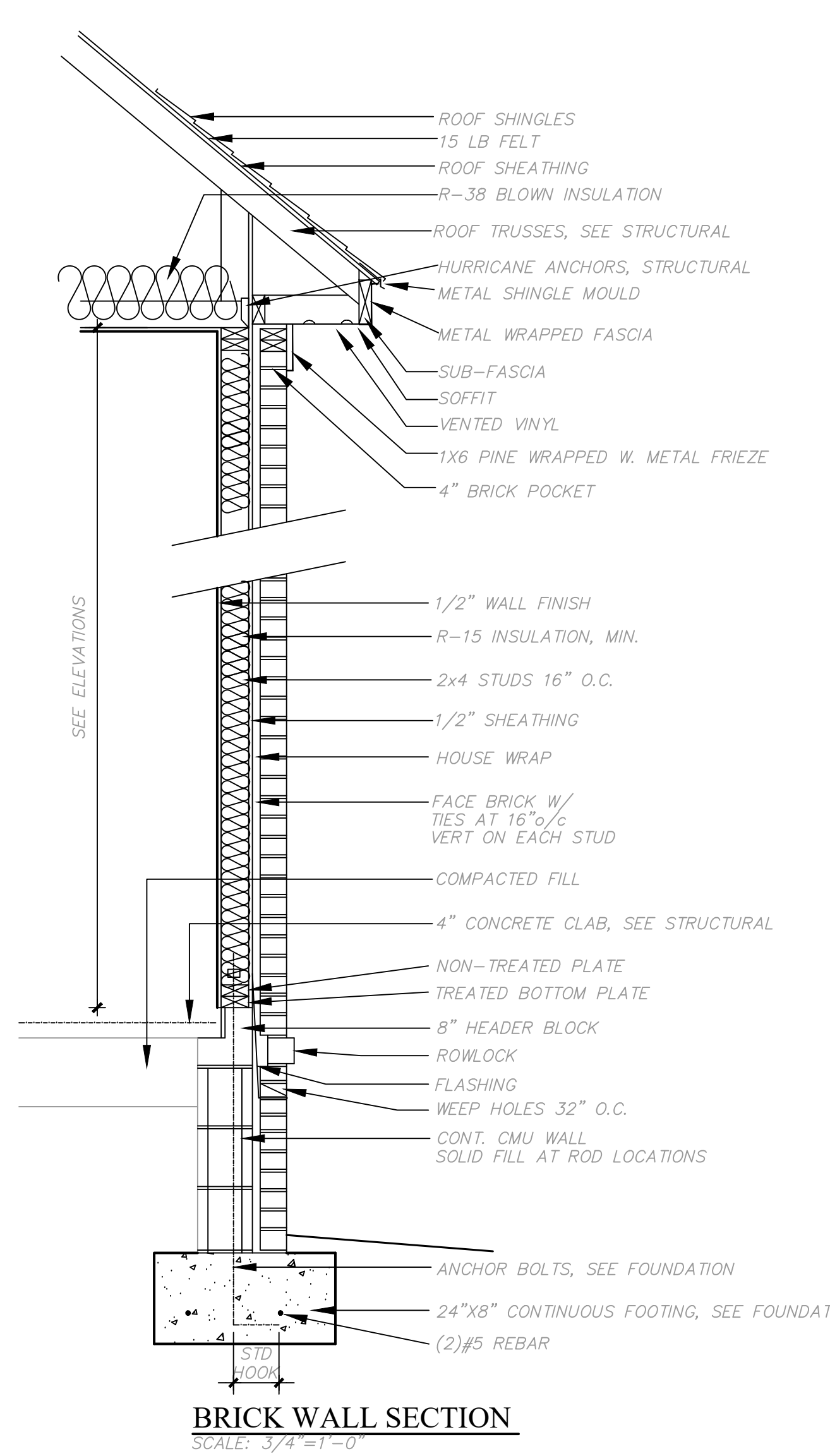


SPEC LOT 14
 ELEVATIONS

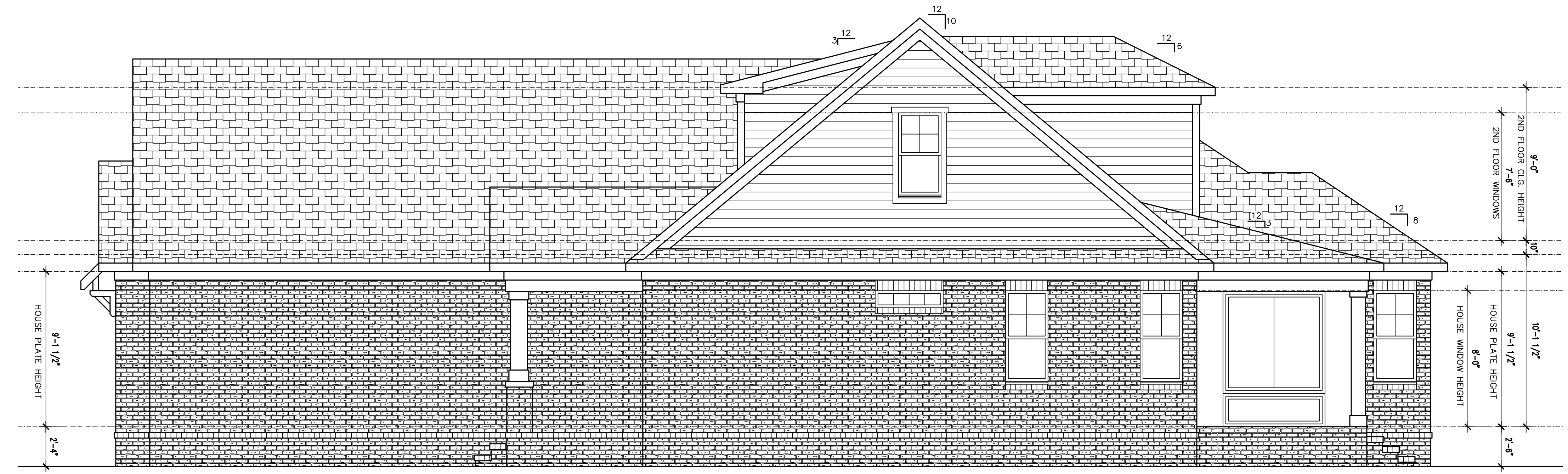
SCALE : 1/4"=1'

JANUARY 16TH 2020

SHEET NO.
A3



LEFT ELEVATION 1/4" = 1'-0"



RIGHT ELEVATION 1/4" = 1'-0"

It is the responsibility of the builder to assure that all work is in accordance with the latest edition of all applicable National, State, and Local Building Codes. It is the responsibility of the builder to check all dimension and details for overall accuracy appropriate to the local on site conditions. The draftsman is not an architectural firm and stands no liability for structural or architectural design integrity. Every effort has been made to ensure all dimensions are correct and governmental regulations have been met. If an error or omission does occur it is the sole responsibility of the contractor to correct the error and not the responsibility of the draftsman. This plan has been prepared for the contractor and the Draftsman has no knowledge of, or is responsible for, any copy right infringement. The contractor takes sole responsibility for everything on this plan.

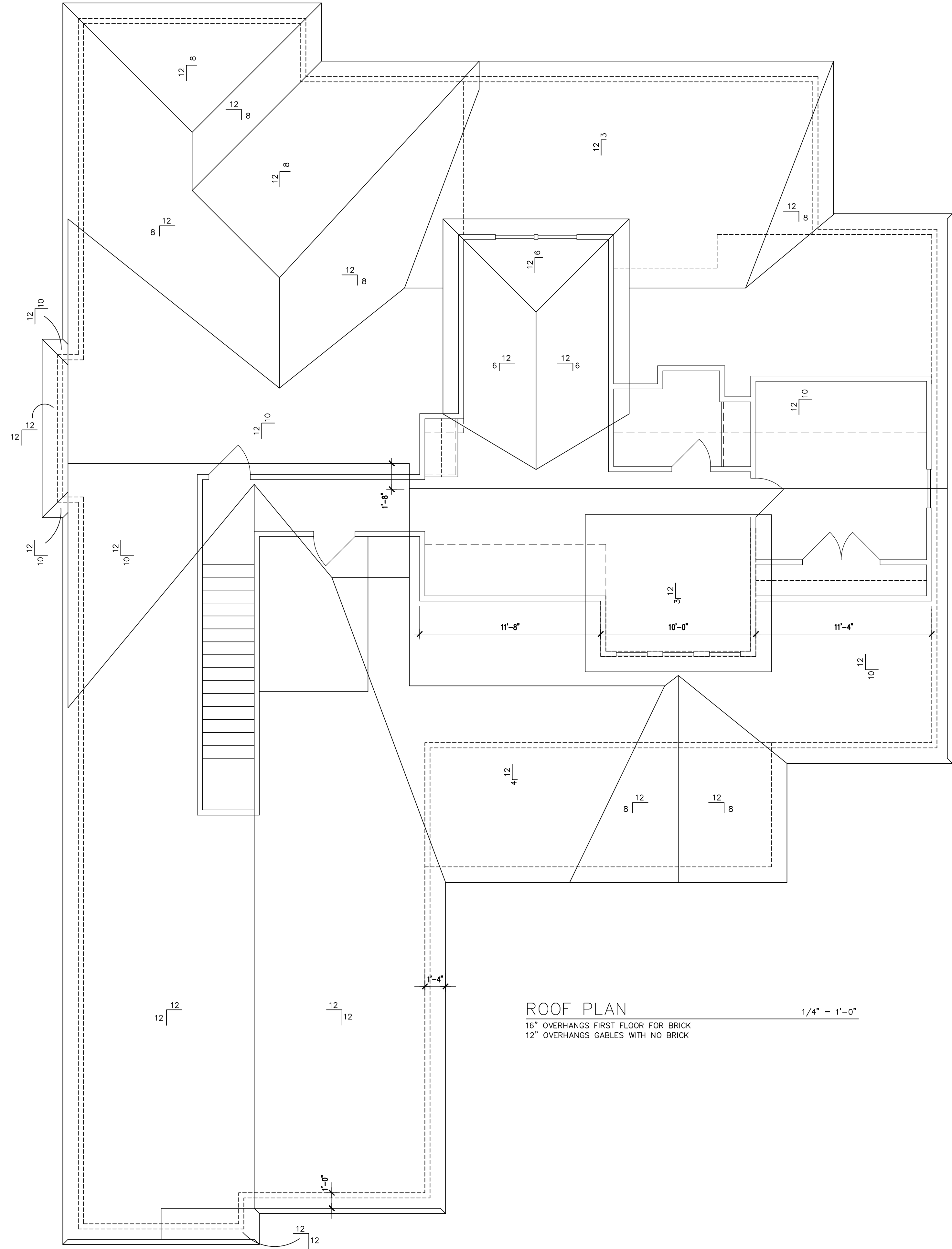


SPEC LOT 14
ELEVATIONS

SCALE : 1/4"=1'

JANUARY 16TH 2020

SHEET NO.
A4



ROOF PLAN
 16" OVERHANGS FIRST FLOOR FOR BRICK
 12" OVERHANGS GABLES WITH NO BRICK
 1/4" = 1'-0"

It is the responsibility of the builder to assure that all work is in accordance with the latest edition of all applicable National, State, and Local Building Codes. It is the responsibility of the builder to check all dimension and details for overall accuracy appropriate to the local on site conditions. The draftsman is not an architectural firm and stands no liability for structural or architectural integrity. Every effort has been made to ensure all dimensions are correct and governmental regulations have been met. If an error or omission does occur it is the sole responsibility of the contractor to correct the error and not the responsibility of the draftsman. This plan has been prepared for the contractor and the Draftsman has no knowledge of, or is responsible for, any copy right infringement. The contractor takes sole responsibility for everything on this plan.

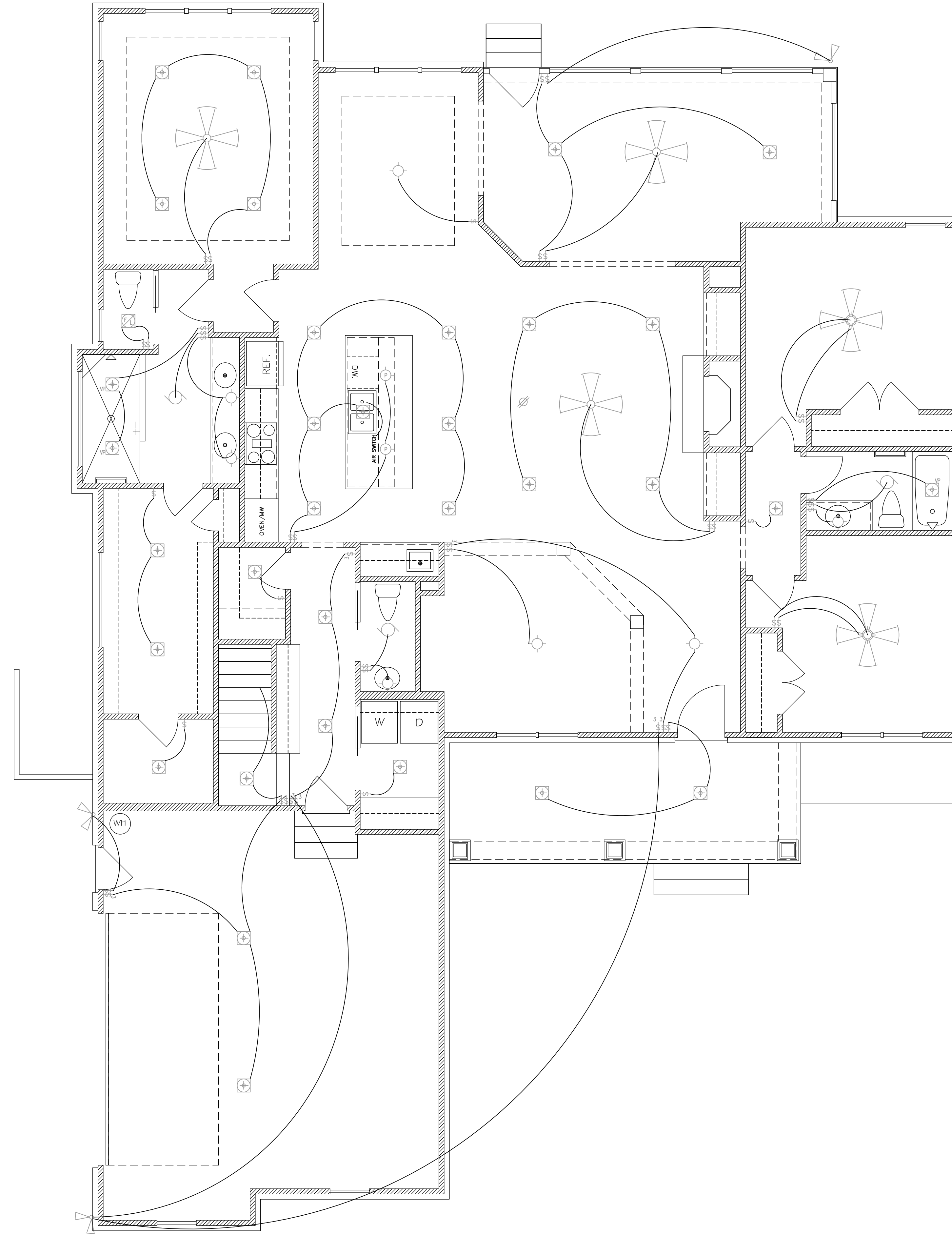


SPEC LOT 14
 ROOF PLAN

SCALE : 1/4"=1'

JANUARY 16TH 2020

SHEET NO.
A5



ELECTRICAL PLAN

1/4" = 1'-0"

SPEC LOT 14

ELECTRICAL

SCALE : 1/4"=1'

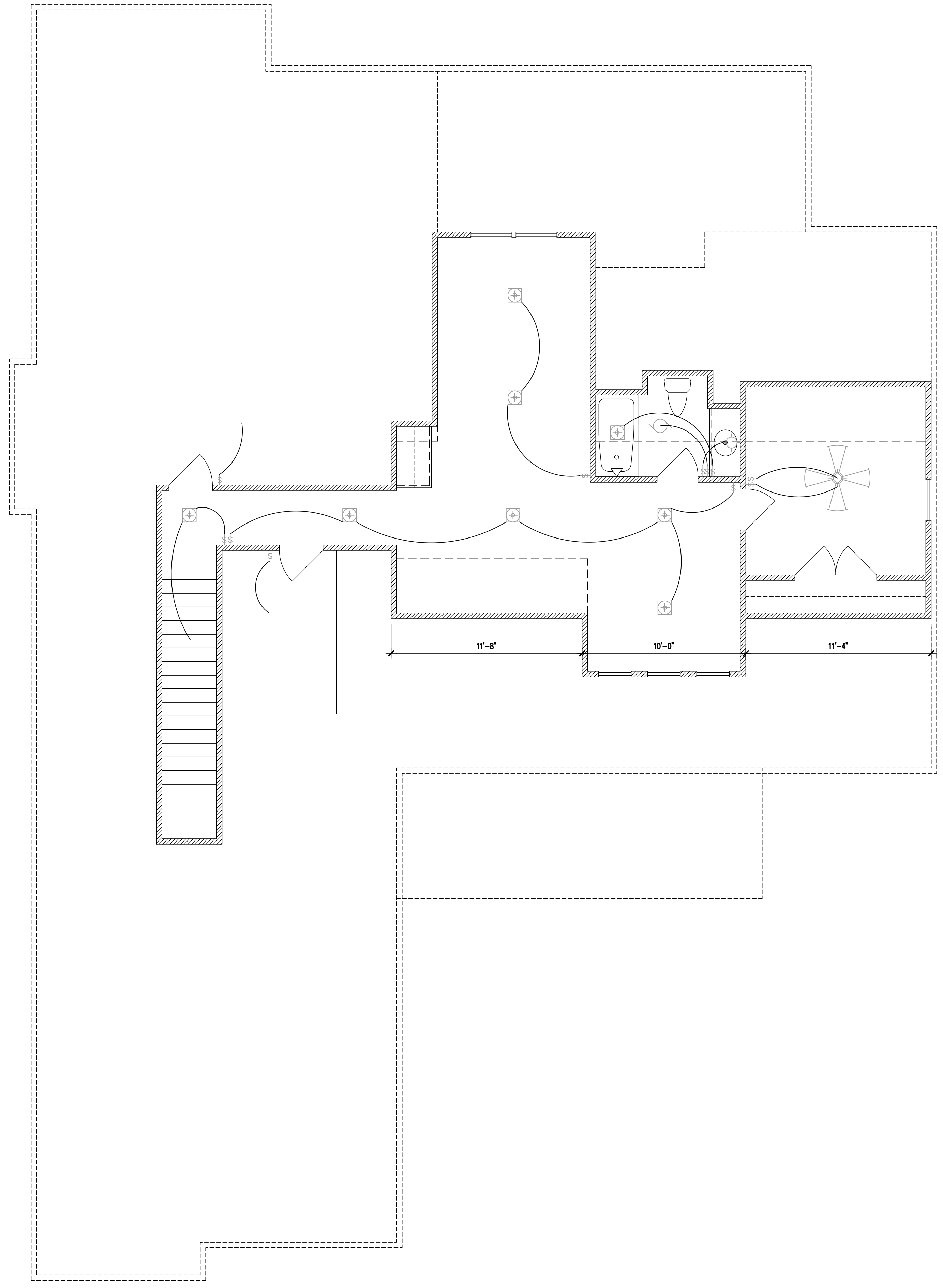
JANUARY 16TH 2020

SHEET NO.

A6



It is the responsibility of the builder to assure that all work is in accordance with the latest edition of all applicable National, State, and Local Building Codes. It is the responsibility of the builder to check all dimension and details for overall accuracy appropriate to the local on site conditions. The draftsman is not an architectural firm and stands no liability for structural or architectural integrity. Every effort has been made to ensure all dimensions are correct and governmental regulations have been met. If an error or omission does occur it is the sole responsibility of the contractor to correct the error and not the responsibility of the draftsman. This plan has been prepared for the contractor and the Draftsman has no knowledge of, or is responsible for, any copy right infringement. The contractor takes sole responsibility for everything on this plan.



It is the responsibility of the builder to assure that all work is in accordance with the latest edition of all applicable National, State, and Local Building Codes. It is the responsibility of the builder to check all dimension and details for overall accuracy appropriate to the local on site conditions. The draftsman is not an architectural firm and stands no liability for structural or architectural design integrity. Every effort has been made to ensure all dimensions are correct and governmental regulations have been met. If an error or omission does occur it is the sole responsibility of the contractor to correct the error and not the responsibility of the draftsman. This plan has been prepared for the contractor and the Draftsman has no knowledge of, or is responsible for, any copy right infringement. The contractor takes sole responsibility for everything on this plan.



SPEC LOT 14

ELECTRICAL

SCALE : 1/4"=1'

JANUARY 16TH 2020

SHEET NO. **A6.1**